 Please read and comply with these original instructions prior to the initial operation of your appliance and store them for later use or subsequent owners.

## Contents

For Your Safety	EN - 1
Proper use	EN - 2
Safety Devices	EN - 2
Environmental protection	EN - 2
Before Startup	EN - 4
Start up	EN - 4
Operation	EN - 5
Transport	EN - 7
Storage	EN - 7
Maintenance and care	EN - 7
Troubleshooting	EN - 7
Spare parts	EN - 8
Warranty	EN - 8
CE declaration	EN - 9
Technical specifications	EN - 10

## For Your Safety

Before first start-up it is definitely necessary to read the operating instructions and safety indications Nr. 5.951-949!

### Symbols in the operating instructions

#### **Danger**

*Immediate danger that can cause severe injury or even death.*

#### **Warning**

*Possible hazardous situation that could lead to severe injury or even death.*

#### **Caution**

*Possible hazardous situation that could lead to mild injury to persons or damage to property.*

## Symbols on the machine



*High-pressure jets can be dangerous if improperly used. The jet may not be directed at persons, animals, live electrical equipment or at the appliance itself.*

*According to the applicable regulations, the appliance must never be used on the drinking water supply without a system separator. Use a suitable system separator manufactured by KÄRCHER, or, as an alternative, a system separator as per EN 12729 Type BA. Water flowing through a system separator is considered non-drinkable.*



#### **Caution**

*Always connect the system separator to the water supply, never directly to the appliance!*

## Safety instructions

- Please follow the national rules and regulations for fuel spray jets of the respective country.
- Please follow the national rules and regulations for accident prevention of the respective country. Fuel spray jets must be tested regularly and the results of these tests must be documented in writing.
- The appliance is not a vacuum cleaner! Never suck in more fluid than what has been sprayed. Do not use to suck in dry dust!
- The machine is not suitable for vacuuming dust which endangers health.
- Never sweep off explosive liquids, combustible gases or undiluted acids and solvents. This includes petrol, paint thinner or heating oil which can generate explosive fumes or mixtures upon contact with the air. Acetone, undiluted acids and solvents must also be avoided as they can harm the materials on the machine.
- Never vacuum up the following materials:

Explosive or combustible gases, liquids and dust particles (reactive dust particles)

Reactive metal dusts (for e.g. aluminium, magnesium, zinc) can form explosive gases when they come in contact with highly alkaline or acidic detergents.

Undiluted, strong acids and alkalis  
Organic solvents (such as petrol, paint thinners, acetone, heating oil).

- Do not vacuum up any burning or glowing objects.
- Humans and animals must not be vacuumed with this appliance.
- Please follow the statutory regulations for disposing off dirt water and alkalis.
- Protect the appliance against frost.
- Caution! Switch the appliance off immediately in case foam or liquid escape!

### Proper use

This multi-purpose cleaner can be used for the following tasks:

- Applying detergent solution with the low-pressure jet.
- Removing dirt with the high pressure jet.
- Vacuuming up the wastewater.
- The appliance is not suitable for vacuuming hazardous dust.
- This appliance is intended for inside use.



### Safety Devices

Safety devices serve for the protection of the user and must not be put out of operation or bypassed with respect to their function.

### Overflow valve

While reducing the water supply/quantity regulation at the pump head, the overflow valve opens and part of the water flows back to the pump suck side.

### Environmental protection

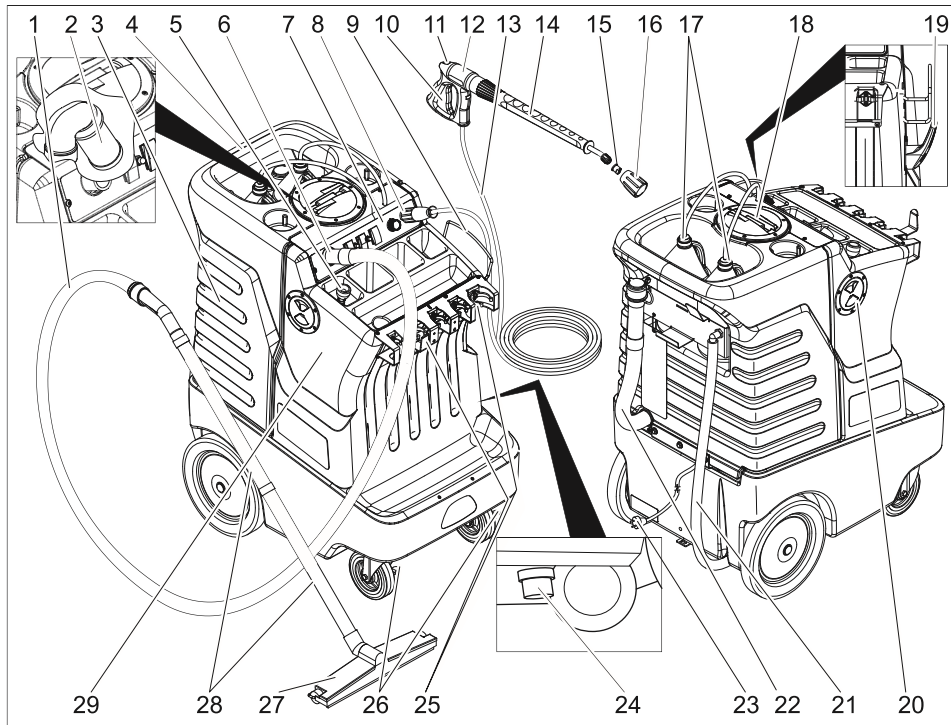
	<p>The packaging material can be recycled. Please do not place the packaging into the ordinary refuse for disposal, but arrange for the proper recycling.</p>
	<p>Old appliances contain valuable materials that can be recycled. Please arrange for the proper recycling of old appliances. Batteries, oil, and similar substances must not enter the environment. Please dispose of your old appliances using appropriate collection systems.</p>

#### Notes about the ingredients (REACH)

You will find current information about the ingredients at:

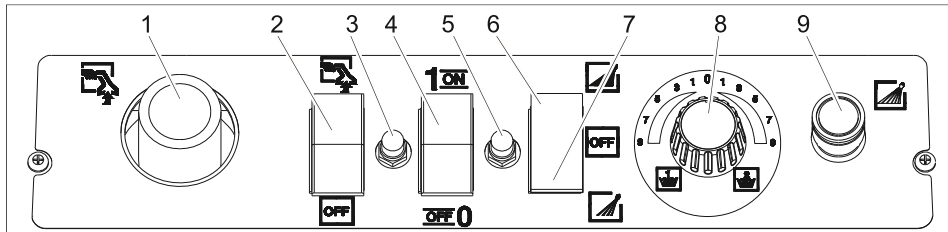
<http://www.karcher.de/de/unternehmen/umweltschutz/REACH.htm>

## Device elements



- |                                       |   |
|---------------------------------------|---|
| 1 Suction hose                        | 20 Fresh water tank cover                               |
| 2 Sieve with floater ball             | 21 Filling level display and fresh water discharge hose |
| 3 Dirt water reservoir                | 22 Dirt water discharge hose                            |
| 4 Push handle                         | 23 Mains cable with mains plug                          |
| 5 Fill hose, fresh water              | 24 Fresh water filter                                   |
| 6 Suction hose connection             | 25 Tool holder  |
| 7 Operating field                     | 26 Guiding roll with fixed position brake               |
| 8 High pressure connection            | 27 Floor nozzle   |
| 9 Storage compartment for hoses       | 28 Suction pipe   |
| 10 Lever for hand spray gun           | 29 Fresh water tank                                     |
| 11 Safety lever                       |   |
| 12 Hand blowing gun                   |   |
| 13 High pressure hose                 |   |
| 14 Spray lance                        |   |
| 15 Nozzle                             |   |
| 16 Nozzle screws                      |   |
| 17 Detergent suction hose with filter |   |
| 18 Cover dirt water reservoir         |   |
| 19 Cable hook                         |   |

## Operating panel



- 1 Suction hose connection
- 2 Switch for vacuuming
- 3 Fuse for suction turbine
- 4 Power switch
- 5 Pump fuse
- 6 Pump switch, high pressure setting
- 7 Pump switch, low pressure setting
- 8 Dosage valve for detergent
- 9 High pressure connection

### Before Startup

#### Unpacking

- Check the contents of the pack before unpacking.
- In case of transport damage inform vendor immediately

#### Attaching the Accessories

- Install nozzle with nozzle screw at the spray pipe.
- Connect ray tube to hand spray gun
- Fasten the high pressure hose to the high pressure connection.
- Join the floor nozzle, the suction pipes and the suction hose together.
- Insert the suction hose into the suction hose connection on the appliance.

### Start up

#### Fill up fresh water reservoir

According to the applicable regulations, the appliance must never be used on the drinking water supply without a system separator.



suitable system separator manufactured by KÄRCHER; or, as an alternative, a system separator as per EN 12729 Type BA. Water flowing through a system separator is considered non-drinkable.

#### Caution

Always connect the system separator to the water supply, never directly to the appliance!

- Pull the fresh water fill hose out of the appliance and connect it to a water tap.
- Open the water tap (water temperature max. 50°C) and fill the fresh water tank to the bottom edge of its lid.

#### Detergent

#### ⚠ Warning

Unsuitable detergents can cause damage to the appliance and to the object to be cleaned. Use only those detergents that have been approved by Kärcher. Observe the dosage and other instructions provided with these detergents. For considerate treatment of the environment use detergent economically.

Follow the safety instructions for using detergents.

Kärcher detergents ensure smooth functioning. Please consult us or ask for our catalogue or our detergent information sheets.

- Place the detergent bottle into the bottle holder on the appliance. Two different detergents can be simultaneously placed into the appliance.
- Pull the detergent suction hose out and immerse it into the detergent bottle.

- Screw the lid onto the bottle.

### Electrical connection

#### **⚠ Danger**

*Danger of injury by electric shock.*

*The appliance may only be connected to alternating current.*

*The appliance may only be connected to an electrical supply which has been installed in accordance with IEC 60364.*

*The voltage indicated on the type plate must correspond to the voltage of the electrical source.*

*The minimum fuse rating required at the socket outlet is (see technical specifications).*

*The appliance should always be connected to the electrical mains using a plug. It is forbidden to permanently connect the appliance to the power supply. The plug is only for mains separation.*

*Check the power cord with mains plug for damage before every use. If the power cord is damaged, please arrange immediately for the exchange by an authorized customer service or a skilled electrician.*

*The plug and coupling of the extension cable used must be watertight.*

*Use the extension cord that has an adequate cross-section (see "Technical Data") and unwind it fully from the cable drum.*

*Unsuitable extension cables can be hazardous. Only use extension cables outdoors which have been approved for this purpose and labelled with a sufficient cable cross section:*

For connection values, see type plate/technical data.

## Operation

#### **⚠ Danger**

*Risk of explosion!*

*Do not spray flammable liquids.*

*If the appliance is used in hazardous areas (e.g. filling stations) the corresponding safety provisions must be observed.*

#### **Caution**

*Clean engines only at places with corresponding oil separators (environmental safety).*

- Carry out maintenance jobs "Prior to every operation" (see section "Maintenance and Care").
- Use the pushing handle to push the appliance to the place of use.
- Lock the parking brakes of the wheels.
- Insert the mains plug into a socket.
- Set the appliance switch to "1/ON".

#### **Note**

*The appliance is equipped with a pressure switch. The motor starts up only when the lever of the pistol is pulled.*

### Apply detergent solution

- Set the pump switch to the low pressure setting.
- Set the detergent dosing valve to the desired detergent and concentration.
- Direct the spray pipe onto the surface to be cleaned and activate the lever of the hand spray gun.
- Apply detergent solution.

#### **Interrupting operation**

- Release the lever of the hand-spray gun; the device will switch off.
- Release again the lever of the hand-spray gun; the device will switch on again.

#### **Let the detergent solution soak in**

- If applicable, wait for the soaking time to be completed.
- Brush the detergent solution in using a brush in spots with heavy soiling.

### High-pressure operation

- Set the pump switch to the high pressure setting.
- Turn the detergent dosing valve to position "0"
- Direct the spray pipe onto the surface to be cleaned and activate the lever of the hand spray gun.
- Spray off the dirt with the high-pressure jet.

### Vacuuming operations

- Switch on "suction" button.
- Vacuum up the wastewater using the floor nozzle.

### Shutting down

- Set the appliance switch to "0/OFF".
- Disconnect the mains plug from the socket.
- Activate hand spray gun until device is pressure-less.
- Press the safety lever of the hand-spray gun to secure the lever of the pistol against being released accidentally.
- Wind up the high-pressure hose and hang it over the hose storage.
- Wind the connection cable around the cable holder.
- Fasten the suction pipe and the spray pipe to the tool holder.

#### Empty tanks.

#### **⚠ Warning**

*Please observe the local provisions regarding the wastewater treatment.*

#### **Note:**

For hygienic reasons, the fresh and wastewater tanks must be emptied every time the unit is taken out of operation.

- Drive the appliance to the disposal site for the liquid.
- Take the dirt water discharge hose from the support and lower above a suited collection device.
- Let off water by opening the dosage device at the discharge hose.

- Remove the cover from the waste water reservoir.
- Rinse the dirt water tank with clear water.
- Clean the swimmer and check the movement of the swimmer ball.
- Rinse the dirt water tank with clear water.
- Pull the fresh water discharge hose from top of the hose fitting and lower above a suitable collection unit.
- Empty the fresh water reservoir.
- Carry out maintenance jobs "Following every operation" (see section "Maintenance and Care").

### Frost protection

#### **⚠ Warning**

*Frost will destroy the not completely water drained device.*

Store the appliance in a frost free area.

#### **If you cannot store it in a frost-free place:**

- Drain water.
- Pump in conventional frost protection agents through the appliance.

#### **Note**

*Use normal glycol-based anti-freezing agents for automobiles.*

*Observe handling instructions of the anti-freeze agent manufacturer.*

- Operate device for max. 1 minute until the pump and conduits are empty.

## Transport

### Caution

*Risk of injury and damage! Observe the weight of the appliance when you transport it.*

- Use the pushing handle to push the appliance.
- When transporting in vehicles, secure the appliance according to the guidelines from slipping and tipping over.

## Storage

### Caution

*Risk of injury and damage! Note the weight of the appliance in case of storage.*

This appliance must only be stored in interior rooms.

## Maintenance and care

### ⚠ Danger

*Risk of injury by inadvertent startup of appliance and electrical shock.*

*First pull out the plug from the mains before carrying out any tasks on the machine.*

### Safety inspection/ maintenance contract

You can sign with your dealer a contract for regular safety inspection or even sign a maintenance contract. Please take advice on this matter.

### Before each use

- Check appliance for damages.
- Check connection cable for damages (risk of electrical shock); get the damaged connection cable replaced immediately by an authorised customer service person/ electrician.
- Check the high pressure hose for damages (risk of bursting).  
Please arrange for the immediate exchange of a damaged high-pressure hose.
- Check suction hose and attachments for wear and blockages.

- Check the covers of the wastewater and fresh water tanks for cleanliness and damage.

### After each operation

- Flush the high pressure system with approx. 4 liters of water.
- Rinse the dirt water tank with clear water.
- Clean the floater in the wastewater reservoir.
- Clean fresh water tank.
- Check fresh water filter; clean if required.
- Clean the outside of the appliance with a damp cloth which has been soaked in mild detergent.
- Switch on the suction for drying the system.
- Do not close the lids of the fresh water and dirt water tanks so that the tanks can dry up.

### Weekly

- Check spray pattern of the nozzle and the pump pressure.
- Check the sieve in the wastewater tank for damage.
- Check functioning of the appliance.

### Quarterly

- Check carbon brush of the suction turbine, replace if required. \*
- \* To be done by Customer Service.

### Clean the fresh water filter

- Unscrew the filter cup.
- Clean filter inlay or replace if too dirty.
- Replace the filter cup.

## Troubleshooting

### ⚠ Danger

*Risk of injury by inadvertent startup of appliance and electrical shock.*

*First pull out the plug from the mains before carrying out any tasks on the machine.*

Get the electrical components checked and repaired only by authorised customer service persons.

Contact an authorised customer service person in case of problems not mentioned in this chapter or if you are in doubt or when you have been explicitly asked to do so.

Fault	Remedy	By whom
Appliance cannot be started	Check if the mains plug is connected.	Operator
No or inadequate suction power	Reset fuse of suction turbine.	Operator
	Empty the dirt water reservoir.	Operator
	Foam generated in dirt water reservoir? Use less or a different detergent. Use defoamer.	Operator
	Close the cover of the dirt water reservoir tightly.	Operator
	Clean the seals between dirt water reservoir and cover and check for tightness, replace if required.	Operator
	Check suction hose, the suction pipe and the floor nozzle for blockages; clean if required.	Operator
	Check the connection between the suction hose and the appliance.	Operator
	Clean the sieve in the wastewater reservoir.	Operator
	Check the suction hose for tightness; replace if required.	Operator
	Check if the cover on the dirt water discharge hose is closed	Operator
	Clean the floater in the dirt water tank.	Operator
no water jet	Check fresh water filter; clean if required.	Operator
	Pull on the lever of the hand spray gun until all the air has emerged from the pump.	Operator
	Check the high pressure hose for damages (risk of bursting). Please arrange for the immediate exchange of a damaged high-pressure hose.	Operator
Water pressure is too low	Check the nozzle size, install correct nozzle	Operator
The pump does not run	Reset the pump fuse.	Operator

### Spare parts

- Only use accessories and spare parts which have been approved by the manufacturer. The exclusive use of original accessories and original spare parts ensures that the appliance can be operated safely and troublefree.
- At the end of the operating instructions you will find a selected list of spare parts that are often required.
- For additional information about spare parts, please go to the Service section at [www.kaercher.com](http://www.kaercher.com).

### Warranty

The warranty terms published by the relevant sales company are applicable in each country. We will repair potential failures of your appliance within the warranty period free of charge, provided that such failure is caused by faulty material or defects in manufacturing. In the event of a warranty claim please contact your dealer or the nearest authorized Customer Service centre. Please submit the proof of purchase.



## CE declaration

We hereby declare that the machine described below complies with the relevant basic safety and health requirements of the EU Directives, both in its basic design and construction as well as in the version put into circulation by us. This declaration shall cease to be valid if the machine is modified without our prior approval.

**Product:** Floor cleaner  
**Type:** 1.007-xxx

### Relevant EU Directives

2006/42/EC (+2009/127/EC)  
2004/108/EC



### Applied harmonized standards

EN 55014-1: 2006 + A1: 2009  
EN 60335-1  
EN 60335-2-79  
EN 60335-2-69  
EN 61000-3-2: 2006 + A2: 2009  
EN 61000-3-3: 2008  
EN 62233: 2008

### Applied national standards

-

The undersigned act on behalf and under the power of attorney of the company management.

 H. Jenner CEO	 S. Reiser Head of Approbation
---	---

Authorised Documentation Representative  
S. Reiser

Alfred Kärcher GmbH Co. KG  
Alfred-Kärcher-Str. 28 - 40  
71364 Winnenden (Germany)  
Phone: +49 7195 14-0  
Fax: +49 7195 14-2212

Winnenden, 2010/09/01

## Technical specifications

<b>Main Supply</b>		
Voltage	V	230
Current type	Hz	1~ 50
Connected load	kW	1,6
Protection (slow, char. C)	A	16
Type of protection		IPX5
Extension cord 30 m	mm <sup>2</sup>	1,5
<b>High-pressure pump</b>		
Power Input	W	370
Working pressure	MPa (bar)	0,6...1,94 (6...19,4)
Nozzle size		0615
Max. operating over-pressure	MPa (bar)	4,9 (49)
Flow rate	l/h (l/min)	300 (5)
Detergent suck in	l/h (l/min)	10,8 (0,18)
Max. recoil force of hand spray gun	N	26
<b>Vacuuming</b>		
Suction engine output	W	930
Cleaning power, air quantity	l/s	25
Cleaning power, negative pressure	kPa	15
<b>Dimensions and weights</b>		
Fresh/dirt water reservoir volume	l	111/70
Length	mm	914
Width	mm	628
Height	mm	1092
Weight	kg	93
<b>Values determined as per EN 60355-2-79</b>		
Hand-arm vibration value		
Hand spraygun	m/s <sup>2</sup>	<2,5
Spray lance	m/s <sup>2</sup>	<2,5
Uncertainty K	m/s <sup>2</sup>	0,5
Sound pressure level L <sub>pA</sub>	dB(A)	79
Uncertainty K <sub>pA</sub>	dB(A)	3
Sound power level L <sub>WA</sub> + Uncertainty K <sub>WA</sub>	dB(A)	95